

Seawater Desalination System

MODULAR model



Installation Anywhere! Water Everywhere!

We use the best membrane quality for Reverse Osmosis (RO) from seawater, with an extremely high salt removal rate, stable, safe, and reliable performance. Our High Pressure (HP) pump is suitable for seawater desalination, an integrated system with high pressure protection device ensuring the safety and reliability of the equipment. Final process treated water with superior quality that meets national and international standards.

Easy installation: Plug and Drink



Technical Parameter:

Models	ARTIC 150 GPD	ARTIC 300 GPD	ARTIC 600 GPD	ARTIC 750 GPD	ARTIC 1500 GPD	ARTIC 3000 GPD
Capacity	150 GPD	300 GPD	600 GPD	750 GPD	1500 GPD	3000 GPD
Salt Rejection	99.5%	99.5%	99.5%	99.5%	99.5%	99.5%
Membrane qty	1	1	2	1	2	2
Membrane size	2514	2521	2521	2540	2540	4040
High Pressure motor	0.50 kW	0.75 Kw	0.75 Kw	1.1 Kw	1.1 Kw	1.5 Kw
Voltage	110V or 220 V 60HZ 1PH	110V or 220 V 60HZ 1PH	110V or 220 V 60HZ 1PH	110V or 220 V 60HZ 1PH	110V or 220 V 60HZ 1PH	110V or 220 V 60HZ 1PH
Inlet TDS	< 32.800 ppm	< 32.800 ppm	< 32.800 ppm	< 32.800 ppm	< 32.800 ppm	< 32.800 ppm
Pressure	< = 800 psi	< = 800 psi	< = 800 psi	< = 800 psi	< = 800 psi	< = 800 psi



Basic Configuration:

Models	150 GPD	300 GPD	600 GPD	750 GPD	1500 GPD*	3000 GPD
Membrane	SW2514 01 unit	SW2521 01 unit	SW2521 02 units	SW2540 01 unit	SW 2540 02 units	SW 4040 02 units
Pre Treatment	01 unit - PP filter 2.5 x 10 : 05 micron 01 unit - PP filter 2.5 x 20 : 05 micron (optional)					
	01 unit - Pleated filter 2.5 x 10 : 01 micron 01 unit - Pleated filter 2.5 x 20 : 01 micron (optional)					
After Treatment	01 unit - Ultra Violet Esterilizer (optional) 01 unit - Carbon filter offline 2.5 x 10					
Priming Pump (Booster)	Body Stainless steel AISI 304 or ABS, *Flow 3.0 m3/h , *Manometric Suction Lift Up to 9 m , *Head Up to 38 m (*Can change according the models)					
High Pressure Pump	AVT Piston pump, body in Brass or Stainless steel AISI 316					
Instruments	Pressure gauge					
	Flow meter					
	TDS Online – Monitoring water quality (optional)					

Note: 1500GPD* optional configuration with 01 membrane SW-4040

Included: Kit connection maximum length 4 Feet



Description:

Key Features:

- Modular design allows flexible installation
- Energy Efficient, low power consumption per gallon of product water
- Quiet Operation
- Clear viewable Sea Spin Strainer with a cleanable Screen filter for ultimate corrosion resistance and large particulate removal.
- Online conductivity meter monitoring the output water quality any time
- Remote control panel (optional)
- Made in USA

System Pumps Included:

- Suction Feed pump will pull the seawater from any storage tank or direct from the sea
- High efficiency Plunger Pressure Pump

Noise Reduction Features:

- Vibration isolation mounts included.

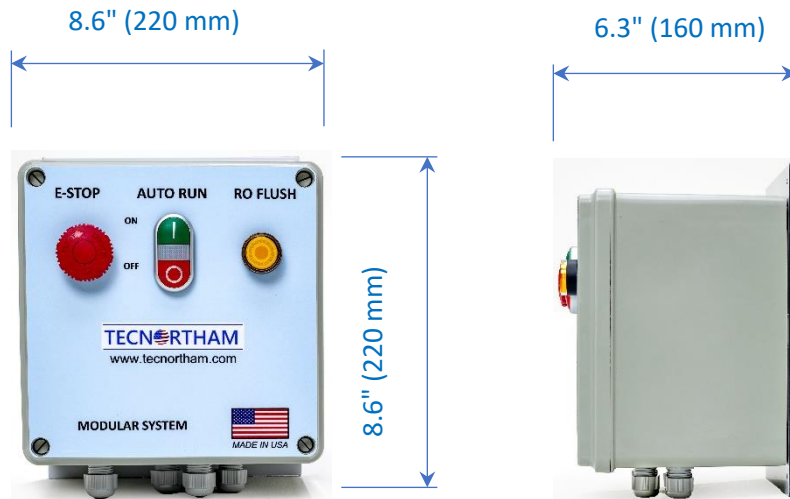
Materials:

- Fiberglass Reinforced High Pressure Membrane Vessel is stronger and eliminates corrosion

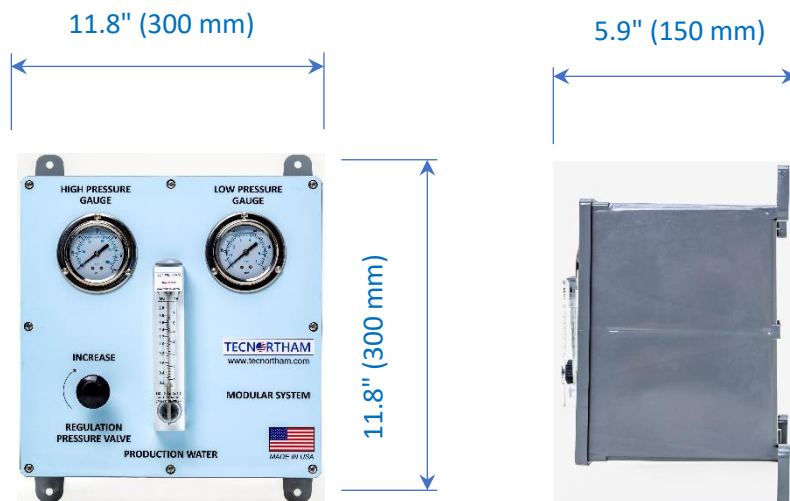


Dimensions:

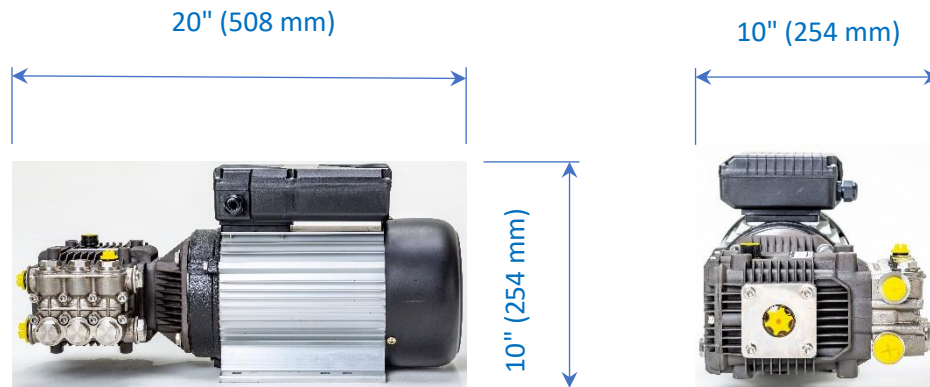
Electric Box



Controller



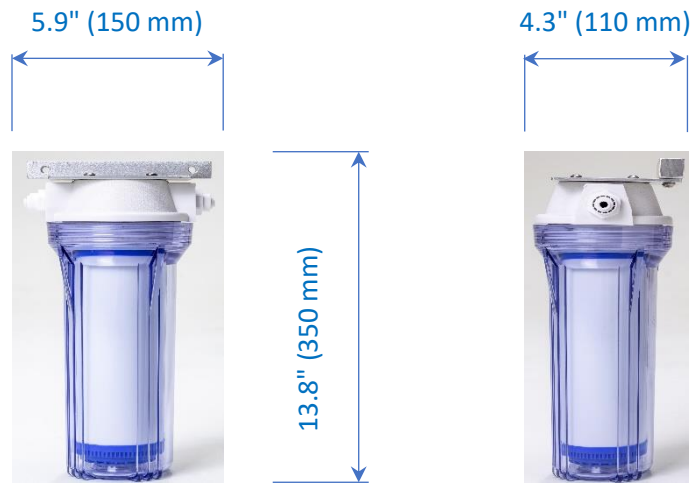
High Pressure Pump



Dual Pre-Filter and Booster Pump



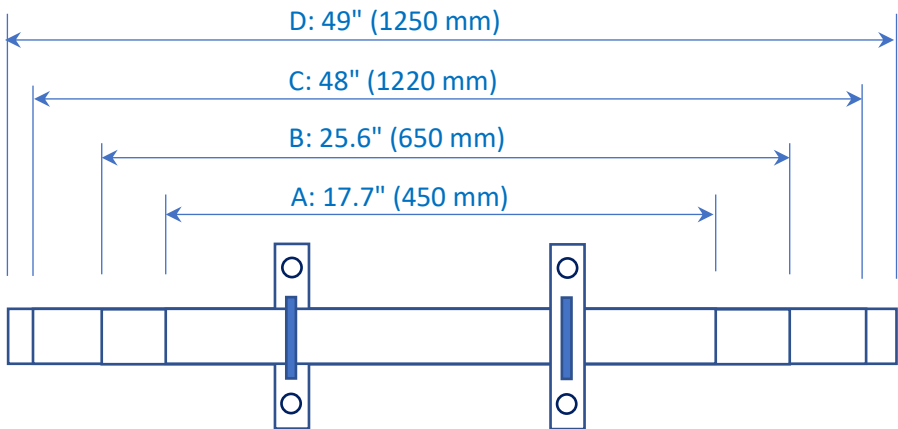
Carbon Filter



UV Ultraviolet water purifier



Vessel Assembly: FRP 1000PSI

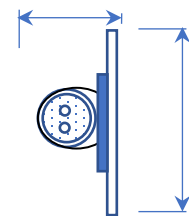


D: 6.7" (170 mm)

C: 3.9" (100 mm)

B: 3.9" (100 mm)

A: 3.9" (100 mm)



D: 7.8" (200 mm)

C: 5.9" (150 mm)

B: 5.9" (150 mm)

A: 5.9" (150 mm)

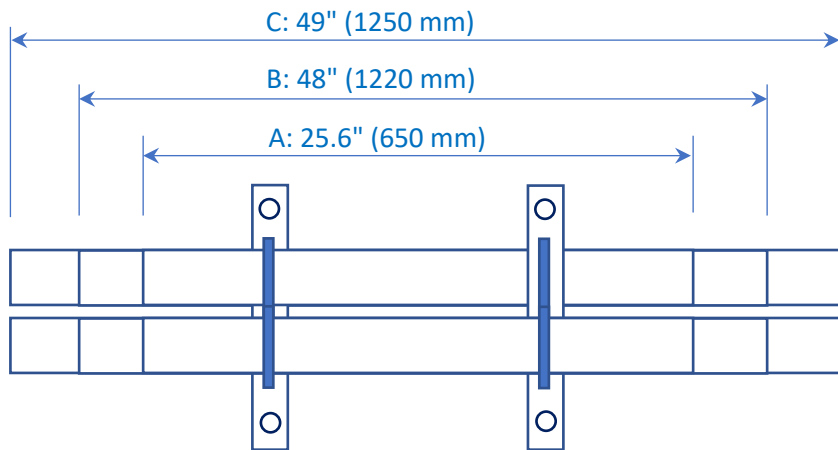
A: 150 GPD (1 MB 2514)

B: 300 GPD (1 MB 2521)

C: 750 GPD (1 MB 2540)

D: 1500 GPD (1 MB 4040)

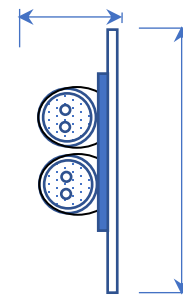
Vessel Assembly: FRP 1000PSI



C: 6.7" (170 mm)

B: 3.9" (100 mm)

A: 3.9" (100 mm)



A: 600 GPD (2 MB 2521)

B: 1500 GPD (2 MB 2540)

C: 3000 GPD (2 MB 4040)

Contact Us

Phone: + 1 828 748-3129

E-mail: info@tecnortham.com

3621 US 64 Hwy, NC 28139, USA